



CM12 Capacitive proximity sensors

Intelligent capacitive sensor with cylindrical thread design

Intelligent capacitive sensor with cylindrical thread design



Product description

The CM12 has a number of excellent features. It is equipped with optimized moisture compensation technology and offers a high level of protection against electromagnetic interference. The Dynamic Teach function enables you to adjust the sensor's sensitivity to suit the prevailing conditions. The CM12 also automatically detects the NPN output or PNP output load. Teach allows you to switch between the NO and NC functions.

The sensor has a compact design and long sensing range of up to 8 mm. Its fields of application are diverse and range from detecting objects in packaging for food, beverage, pharmaceutical, and cosmetic products to monitoring fill levels in print machine tanks or containers and supply lines for rubber and polymer granules.

At a glance

- High electromagnetic compatibility
- Compact sensor with long sensing range of up to 8 mm
- Teach-button for teaching in the background and/or the object (also possible via an external cable)
- Dynamic Teach for teaching in the background and/or the object
- Automatic detection of NPN output or PNP output load
- Teach-in procedure allows you to switch between the NO and NC functions

Your benefits

- Its high electromagnetic compatibility prevents switching errors and increases machine availability
- Its long sensing range and compact design allow the sensor to be used in a number of different applications
- The compact sensor design saves installation space
- Fast sensor configuration possible using Teach-in pushbutton or external control cable
- The Dynamic Teach function can be used to familiarize the sensor with the object/medium. This enables more reliable detection and thus increases the machine's throughput
- Less variants (NO/NC, NPN/PNP, flush/non-flush) means that fewer parts need to be stored
- Since measurements can also be made through the wall of the tank or container, there is no need to drill holes, reducing installation time



Additional information

Detailed technical data.....3
 Ordering information.....4
 Dimensional drawings.....4
 Characteristic curve.....4
 Connection diagram.....4
 Accessories.....5

→ www.mysick.com/en/CM12

For more information, just enter the link or scan the QR code and get direct access to technical data, CAD design models, operating instructions, software, application examples and much more.



Detailed technical data

Features

Housing	Cylindrical
Thread size	M12 x 1
Sensing range S_n	8 mm
Assured sensing range S_a	5.76 mm
Installation type ¹⁾	Non-flush / flush
Switching frequency	Approx. 15 Hz
Output type	PNP / NPN (auto recognition)
Output function	Programmable
Electrical wiring	DC 4-wire
Sensitivity adjustment	Teach-in button / External Teach-in
Enclosure rating ^{2) 3)}	IP 68

¹⁾ For flush mounting, Teach-in necessary.

²⁾ According to EN 60529.

³⁾ 1.3 m water depth / 60 min.

Mechanics/electronics

Supply voltage	10 V DC ... 40 V DC
Ripple ¹⁾	≤ 10 %
Voltage drop ²⁾	≤ 2.5 V DC
Current consumption ³⁾	≤ 12 mA
Time delay before availability	≤ 120 ms
Hysteresis	3 % ... 20 %
Repeatability ^{4) 5)}	≤ 5 %
EMC ⁶⁾	According to EN 60947-5-2
Output current I_a	≤ 200 mA
Connection type	Connector, M12 Cable, 2 m, PVC ⁷⁾ (depending on type)
Short-circuit protection	✓
Reverse polarity protection	✓
Power-up pulse protection	✓
Shock/vibration	30 g, 11 ms / 10 ... 55 Hz, 1 mm
Ambient operating temperature	-20 °C ... +85 °C
Ambient storage temperature	-40 °C ... +85 °C
Housing material	PBT
Tightening torque, max.	≤ 1 Nm

¹⁾ Of U_b .

²⁾ At I_a max.

³⁾ Without load.

⁴⁾ Of S_r .

⁵⁾ U_b and T_a constant.

⁶⁾ Non-flush installation min. 1 x S_n and sensor grounded.

⁷⁾ Do not bend below 0 °C.

Reduction factors

Note	The values are reference values which may vary
Metal	1
Water	1
PVC	Approx. 0.4
Oil	Approx. 0.25

Ordering information

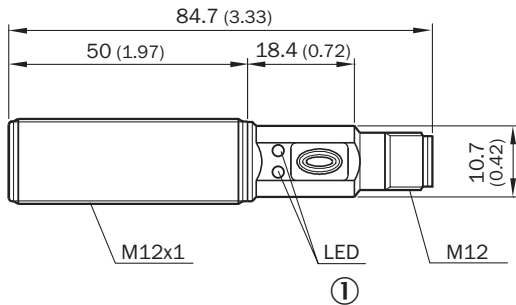
DC 4-wire

- Housing: M12 x 1
- Sensing range S_n : 8 mm
- Installation type: non-flush, flush
- Output function: programmable
- Output type: PNP, NPN (automatic detection.)

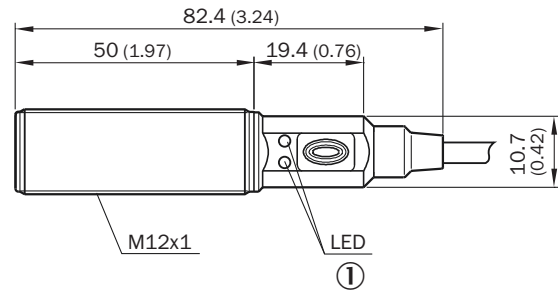
Connection	Connection diagram	Model name	Part no.
Connector M12, 4-pin	Cd-235	CM12-08EBP-KC1	6051030
Cable, 4-wire, 2 m, PVC	Cd-236	CM12-08EBP-KW1	6051029

Dimensional drawings

dimensions in mm (inch)

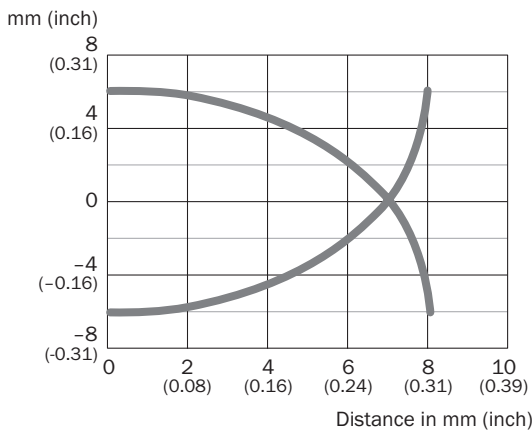


① LED yellow: output active;
LED green: Power and signal reserve



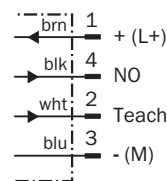
① LED yellow: output active;
LED green: Power and signal reserve

Characteristic curve

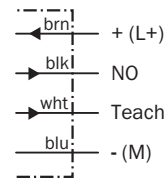


Connection diagram

Cd-235



Cd-236



Accessories

Mounting brackets/plates

Mounting brackets



- **Material:** Steel, zinc coated
- **Items supplied:** without mounting hardware

Figure	Description	Specialty	Model name	Part no.
	Mounting plate for M12 sensors	Straight	BEF-WG-M12	5321869
	Mounting bracket, M12 thread	Right angle	BEF-WN-M12	5308447

Plug connectors and cables



Connecting cable (female connector-open)

- **Jacket material:** PVC
- **Enclosure rating:** IP 67
- **Locking nut material:** CuZn
- **Connector material:** TPU

Figure	Connection type head A	Connection type head B	Cable length	Model name	Part no.
	Female connector, M12, 4-pin, straight	Cable	2 m	DOL-1204-G02M	6009382
			5 m	DOL-1204-G05M	6009866
			10 m	DOL-1204-G10M	6010543
	Female connector, M12, 4-pin, angled	Cable	2 m	DOL-1204-W02M	6009383
			5 m	DOL-1204-W05M	6009867
			10 m	DOL-1204-W10M	6010541

Female connector (ready to assemble)

- **Enclosure rating:** IP 67
- **Locking nut material:** CuZn
- **Connector material:** PBT

Figure	Connection type head A	Connection type head B	Model name	Part no.
	Female connector, M12, 4-pin, straight	-	DOS-1204-G	6007302
	Female connector, M12, 4-pin, angled	-	DOS-1204-W	6007303

Terminal and alignment brackets

Terminal brackets

- **Material:** Plastic (PA12), glass-fiber reinforced
- **Items supplied:** Mounting hardware included

Figure	Description	Specialty	Model name	Part no.
	Clamping block for round sensors M12, without fixed stop	Without fixed stop	BEF-KH-M12	2051479
	Clamping block for round sensors M12, with fixed stop	With fixed stop	BEF-KHF-M12	2051480

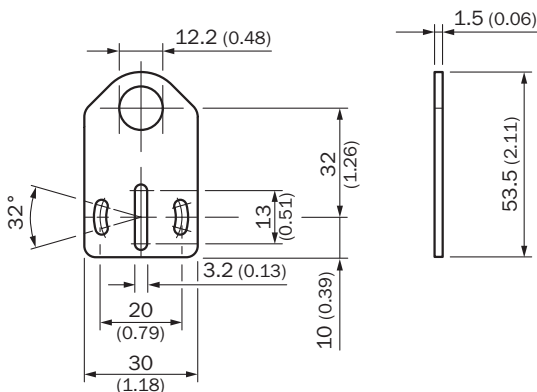
Dimensional drawings accessories

dimensions in mm

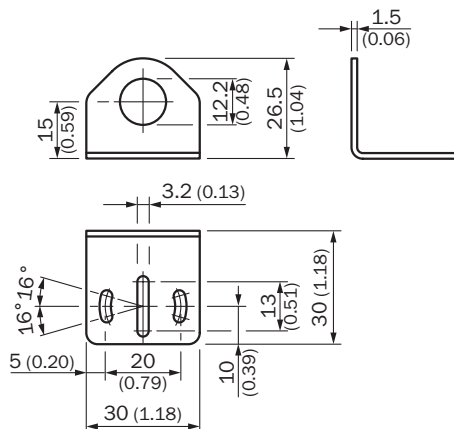
Mounting brackets/plates

Mounting brackets

BEF-WG-M12



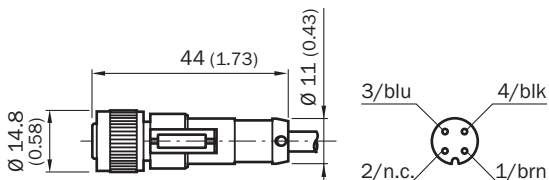
BEF-WN-M12



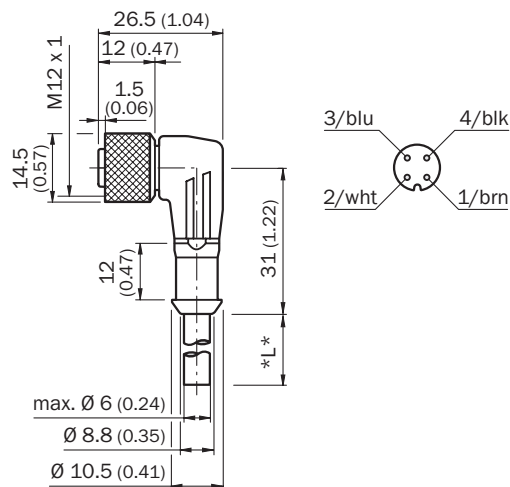
Plug connectors and cables

Connecting cable (female connector-open)

DOL-1204-GxxM

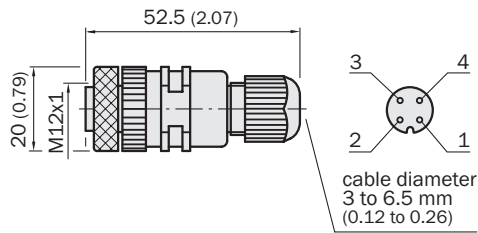


DOL-1204-WxxM

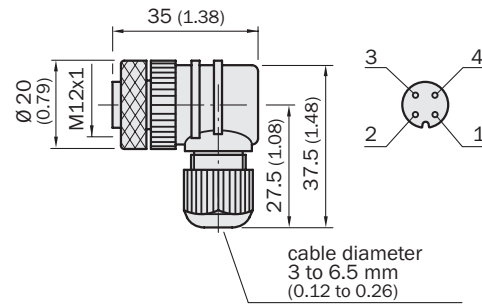


Female connector (ready to assemble)

DOS-1204-G



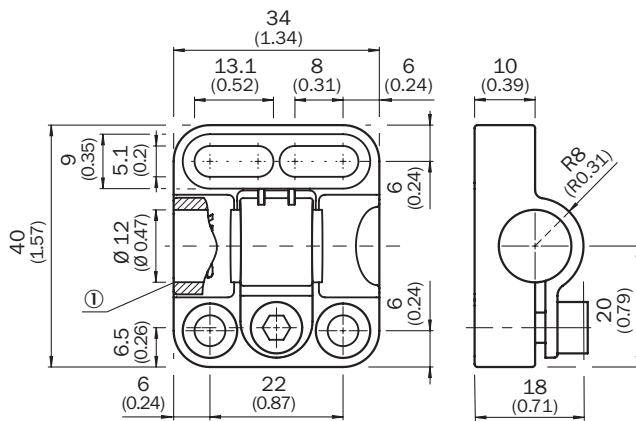
DOS-1204-W



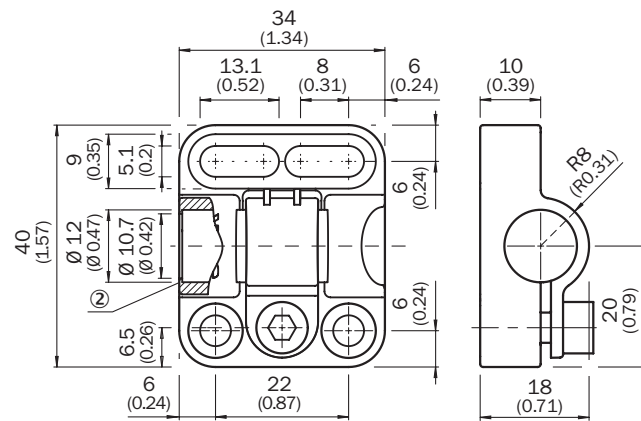
Terminal and alignment brackets

Terminal brackets

BEF-KH-M12

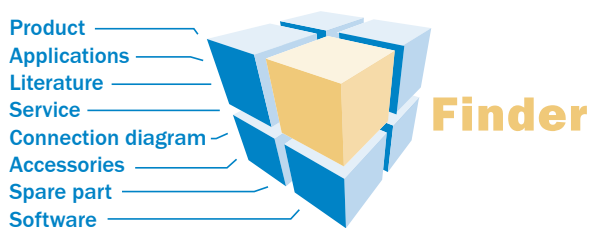


BEF-KHF-M12



www.mysick.com – search online and order

Search online quickly and safely – with the SICK “Finders”

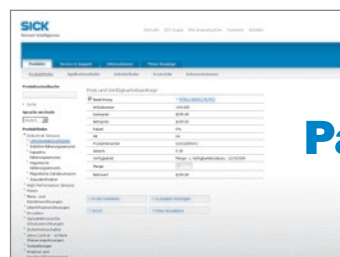


Product Finder: We can help you to quickly target the product that best matches your application.

Applications Finder: Select the application description on the basis of the challenge posed, industrial sector, or product group.

Literature Finder: Go directly to the operating instructions, technical information, and other literature on all aspects of SICK products.

Efficiency – with the e-commerce tools from SICK

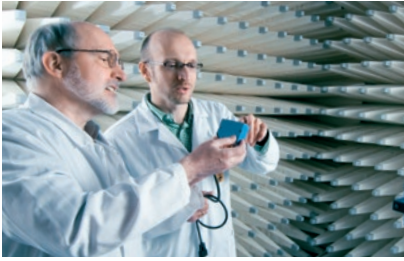


Find out prices and availability: Determine the price and possible delivery date of your desired product simply and quickly at any time.

Request or view a quote: You can have a quote generated online here. Every quote is confirmed to you via e-mail.

Order online: You can go through the ordering process in just a few steps.

SICK at a glance



Leading technologies

With a staff of more than 5,800 and nearly 50 subsidiaries and representations worldwide, SICK is one of the leading and most successful manufacturers of sensor technology. The power of innovation and solution competency have made SICK the global market leader. No matter what the project and industry may be, talking with an expert from SICK will provide you with an ideal basis for your plans – there is no need to settle for anything less than the best.



Unique product range

- Non-contact detecting, counting, classifying, positioning and measuring of any type of object or media
- Accident and operator protection with sensors, safety software and services
- Automatic identification with bar code and RFID readers
- Laser measurement technology for detecting the volume, position and contour of people and objects
- Complete system solutions for analysis and flow measurement of gases and liquids



Comprehensive services

- SICK LifeTime Services – for safety and productivity
- Application centers in Europe, Asia and North America for the development of system solutions under real-world conditions
- E-Business Partner Portal www.mysick.com – price and availability of products, requests for quotation and online orders

Worldwide presence with subsidiaries in the following countries:

Australia
Belgium/Luxembourg
Brasil
Česká Republika
Canada
China
Danmark
Deutschland
España
France
Great Britain
India
Israel
Italia
Japan

México
Nederland
Norge
Österreich
Polska
România
Russia
Schweiz
Singapore
Slovenija
South Africa
South Korea
Suomi
Sverige
Taiwan
Türkiye
United Arab Emirates
USA

Please find detailed addresses and additional representatives and agencies in all major industrial nations at www.sick.com